

STAR
The Classical Hinge



STAR TRACK
Hinge Systems



Scanned with CamScanner

Star Hinge, the classical product of SAMET, provides different solutions with its large product range, meets with customers for many years.

Perfect Design

Star Hinge, which provides different solutions to meet users' needs, steps forward with its simple design, durability and long life structure. Star Hinge provides wide range adjustment option.

Easy Installation

SAMET developed **Star Hinge** in a way that ensures easy assembly-disassembly of hinge onto mounting plate feature just by using a screwdriver. It simplifies installation process during production.



Scanned with CamScanner

High Quality

Star Hinge Series were designed with the advanced technology of SAMET R&D Center and produced by using fully - automated robotic production systems.

Advanced 3D Adjustment with Star Track Hinge System

Wide range 3D adjustment in six direction ensures assembly comfort and better precision for furnitures.

Special Applications

Star and Star Track Hinge system fulfill customer needs for special applications with 15°, 30°, -30°, 45°, - 45°, 90° degree and 165° opening hinges.



Scanned with CamScanner

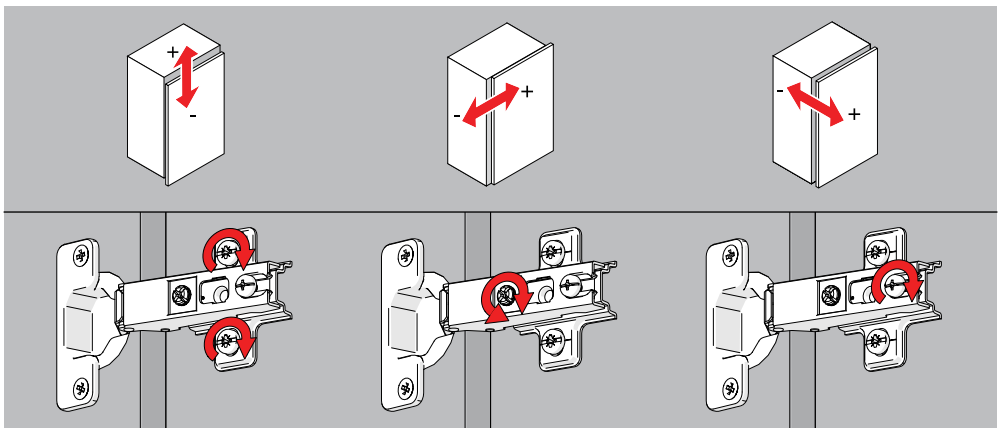
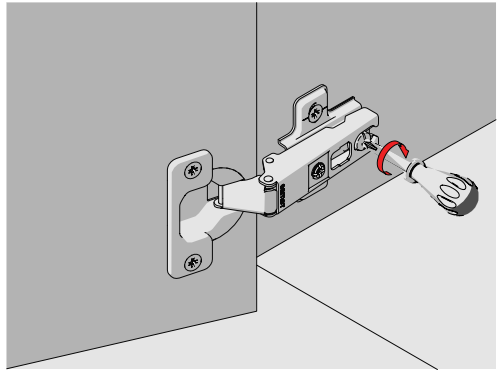
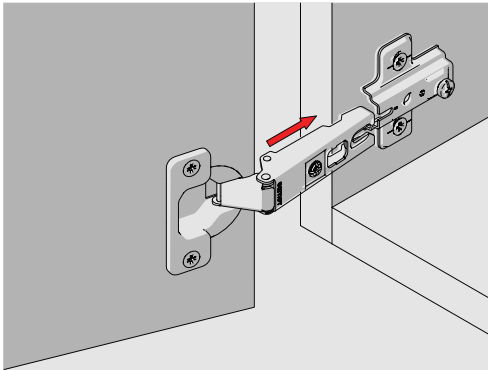
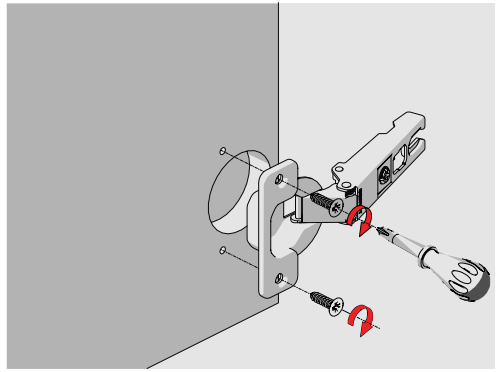
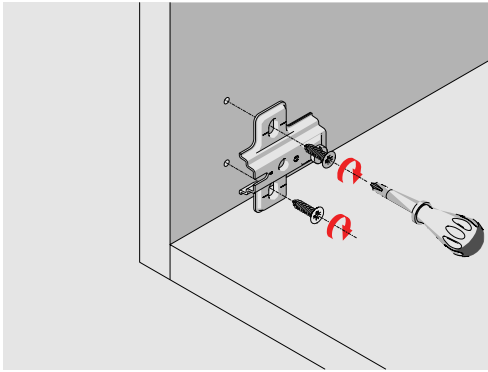
STAR TRACK Hinge System

Star Track Hinge, developed after research and advanced tests carried out by SAMET R&D Center, provides easy and tool free assembling and disassembling of cabinets with a single touch.



Technical Specifications Star and Star Track

- Opening Angle : 110° ◀
- Cup Diameter : 35 mm ◀
- Cup Depth : 11,2 mm ◀
- Crank Type : 0-9-18 mm ◀
- Finish : Nickel ◀
- Depth Adj. : ±3 mm ◀
- Side Adj. : +7/-1 mm ◀
- Height Adj. : ±2 mm ◀
- Packaging : 250 Pieces ◀



STAR TRACK

Assembly Instructions

